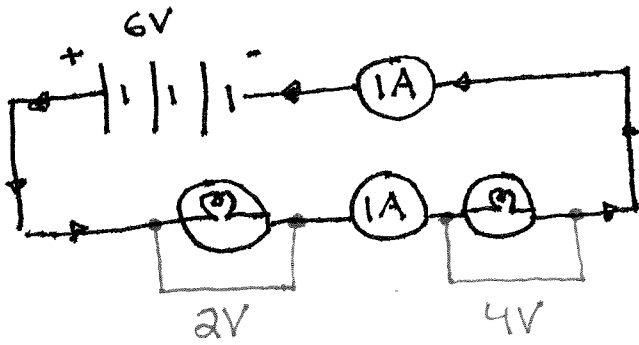


# Series and Parallel Circuits - Notes 7

## Series Circuit

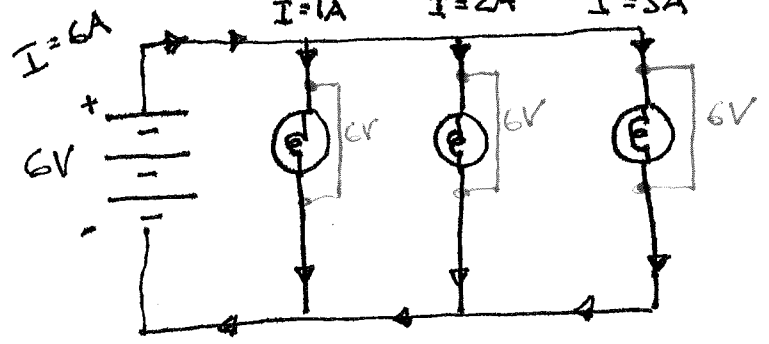
1-path  $4 e^-$



Same current  
varying voltage

## Parallel Circuit

$> 1$  path  $4 e^-$



varying current  
constant voltage

